



NETS

ООО «Новые Сети»
Проектирование сетей, поставка оборудования,
оптимизация и поддержка IT-инфраструктуры.
<https://newnets.ru>

CWDM Mux/Demux Module

1. Features

- ◆ Low Insertion Loss
- ◆ High Isolation
- ◆ Low PDL
- ◆ Compact Design
- ◆ Good channel-to-channel uniformity
- ◆ Wide Operating Wavelength:
From 1260nm to 1620nm
- ◆ Wide Operating Temperature:
From -40°C to 85°C
- ◆ High Reliability and Stability



2. Applications

- ◆ CWDM System
- ◆ PON Networks
- ◆ CATV Links



3. Compliance

- ◆ Telcordia GR-1209-CORE-2001
- ◆ Telcordia GR-1221-CORE-1999
- ◆ RoHS

Центральный офис в Москве:
-Тел: +7 (499) 346 00 00

E-mail: info@newnets.ru

Филиал в Новосибирске:
Тел: +7 (383) 376 66 75



4. Specifications

1×N CWDM Mux/Demux Module

Parameters		1x2	1x4	1x8	1x16
Center Wavelength (nm)		ITU, ITU+1			
Passband (nm)		ITU±7.5			
Operating Wavelength (nm)		1460~1620 or 1260~1620			
Channel Space (nm)		20			
Fiber Type		SMF-28e or customer specified			
IL (dB) (P/A Grade)		0.7/1.0	1.4/1.7	2.0/2.5	3.5/4.0
Isolation (dB)	Adjacent Channel	30			
	Non-Adjacent Channel	50			
Ripple (dB)		0.3	0.4	0.5	0.5
PDL (dB)		0.2			
PMD (ps)		0.1			
RL (dB)		45			
Directivity (dB)		50			
Maximum Optical Power (mw)		500			
Operating Temperature (°C)		-40~85			
Storage Temperature (°C)		-40~85			
BOX Package (mm)		100*80*10			140*115*18
LGX Package		1U, 2U			
19" Rack mount Package		1U			

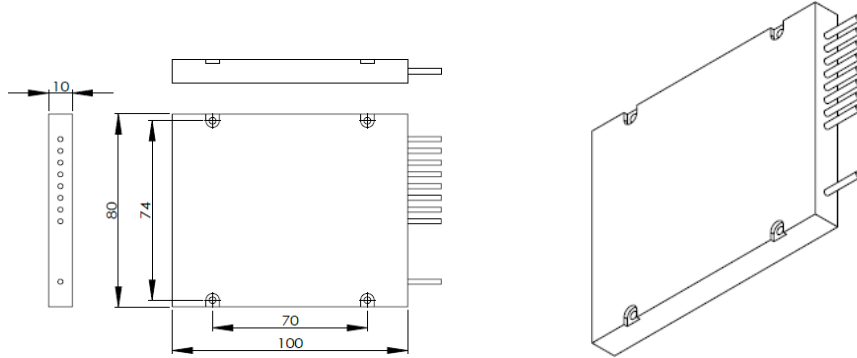
Notes:

1. Specified without connectors.
2. Add an additional 0.2dB loss per connector.

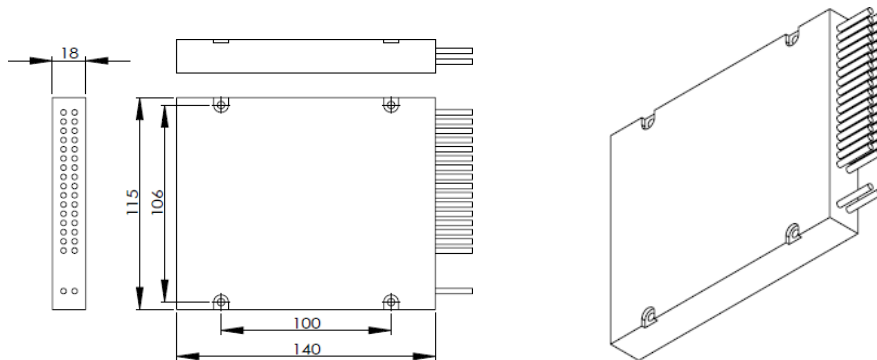


5. Mechanical Dimensions

CWDM Mux/Demux Module



100X80X10



140X115X18